



WamBlee

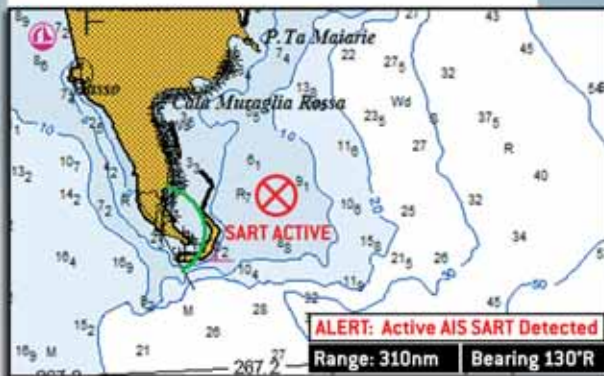
Committed to Excellence

W420

rescue device

ONE MAN AIS SART UNIT

- HIGH-TECH AND RELIABLE
- LIGHT, COMPACT AND EASY TO WEAR
- SIMPLE TO USE
- HIGHLY-EFFICIENT LIGHTING SIGNAL DESIGNED TO ENSURE IMPROVED LOCALISATION IN CONDITIONS OF POOR VISIBILITY
- MANUAL AND AUTOMATIC ACTIVATION
- WORKING IN AIS MODE, WITH INTEGRATED GPS.
- PREPROGRAMMED UNIQUE ID.



W420

The new W420 "RESCUE-ME" is a compact personal safety device, designed to guarantee the safety of crew members. The appliance can be worn round one's neck using a flexible antenna, or directly fitted to a self-inflating lifejacket. Should the wearer fall overboard, the W420 starts working automatically thanks to the sea-sensors situated on the rear of the device and transmits a radio signal that can be used to locate the crew member.

The W420 is fitted with an activation/deactivation knob and a safety lock to avoid the device being accidentally activated. The device is also equipped with a high-performance light signal (LED) to aid localisation of the crew member during conditions of poor visibility, as well as a large Test or Manual Activation pushbutton.

To ensure the device is working properly and to check the battery level, the user needs to ensure that the activation knob

is in the OFF position before pressing the Test button. Out at sea and with the activation knob in the ARMED position, the user can press the push button to immediately send out the alarm signal should they fall overboard. The W420 sends a radio message on international maritime AIS channels 1 & 2, receivable by any AIS equipment on board or surrounding rescue units.

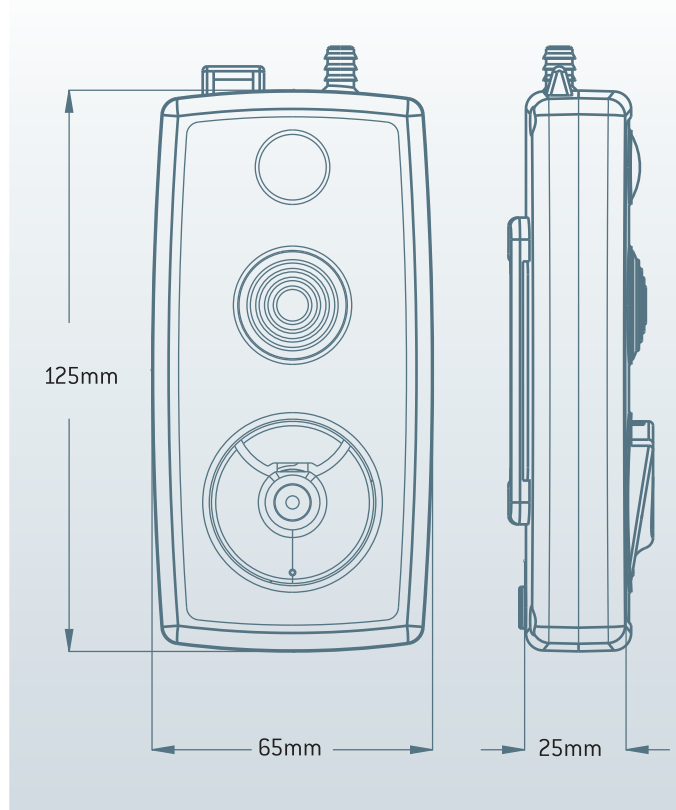
A sophisticated integrated GPS receiver provides the location of the crew member.

The batteries supplied with the device (three LiMnO₂ 3-volt batteries) have a guaranteed life of 5 years (in normal weather conditions) and can be replaced directly by the user. The W420 is an extremely easy to use device and thanks to the ergonomic design and the shape of its controls, can be easily activated, even if the user is wearing gloves and/or protective gear.

TECHNICAL SPECIFICATIONS

- Emission VHF channels: AIS 1 & 2.
- Emission power: +33 dBm typical, +30 dBm minimum,
- Modulation: GMSK
- Message type: type 1 (GPS,UTC,SOG,COG,UID) and type 14 (SART ACTIVE or SART TEST).
- GPS update position every minute.
- Antenna: flexible wipe antenna with silicon-rubber protective sheath.
- Light signalling: 1 diode LED high-performance white light, 25mS flash repeated 20 times/minute.
- Light level : > 0.8 cd perpendicularly
- Working temperature: from -20°C to +55°C.
- Storage temperature: from -30°C to +70°C.
- Activation: manual two stages / partially automatic
- Power supply: 3 primary LiMnO₂ 2/3AA batteries (CR123), non hazardous.
- Battery life: replace every 5 years.*
- Operations and controls: armed, manual activation, partially automatic, TEST function.
- Duration of operation (once activated): at least 24 hours.
- Size: 125 x 65 x 25 mm (L x W x H) (antenna excluded).
- Weight: 140g.
- European Standards: R&TTE Directive 99/05/EEC, EN61097-14, EN61108 part 1,2 e 4, EN60945, ITU-R M.1371
- Warranty: 5 years 'WorldWide'.
- Available in ATEX II 3G IIC T6 version.

| Order code | Description | Packing quantity |
|------------|-----------------------------|------------------|
| P20015 | W420 'RESCUE-ME' AIS SART 1 | 1 |



* in standard weather conditions (20° ± 5°, <= 60 %ur), with planned TEST cycles but without ever being activated.



WamBlee s.r.l. - via Vittori, 19 - 48018 Faenza - tel. / fax +39 0546 623891
e-mail: info@wamblee.it - www.wamblee.it



Progetto realizzato con il contributo della Regione Emilia-Romagna, Assessorato attività produttive, sviluppo economico e piano telematico, Servizio Sportello regionale per l'internazionalizzazione delle imprese

Adriatica

We reserve the right to make technical changes without prior notice
Cod. D9005-EN - Rev.B - 10/2011